

ECX4□□□

4000 series pushbuttons

Plastic body and threaded ring fixing

Joystick H55

Joystick 1 position

ECX 4545 A unstable
ECX 4546 A stable

Joystick 2 position

ECX 4540 A-B unstable
ECX 4541 A stable/ B unstable
ECX 4542 A-B stable

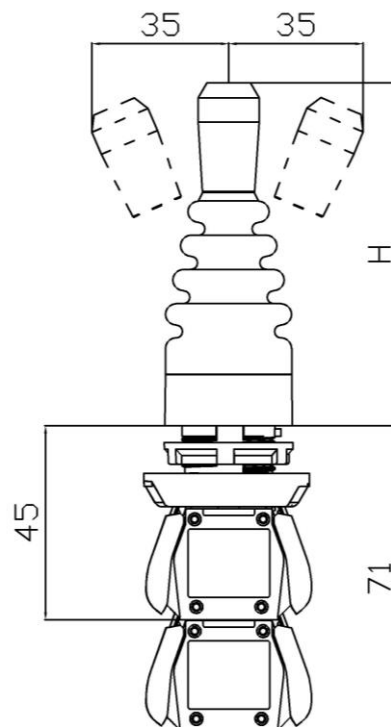
Joystick 4 position

ECX 4550 A-B-C-D unstable
ECX 4551 A- stable/ B-C-D unstable
ECX 4552 A-B stable/ C-D unstable
ECX 4553 A-B-C stable/D unstable
ECX 4554 A-B-C-D stable

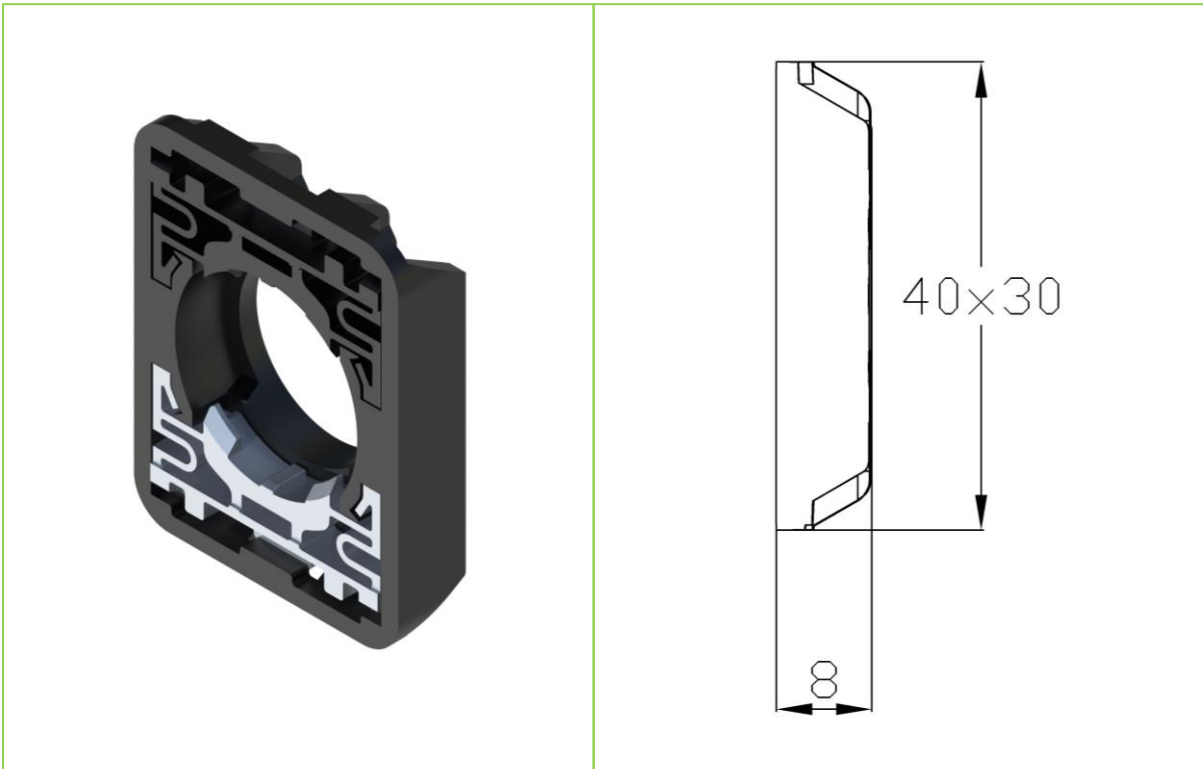
These items are sold along with the relative contact blocks.

4 position

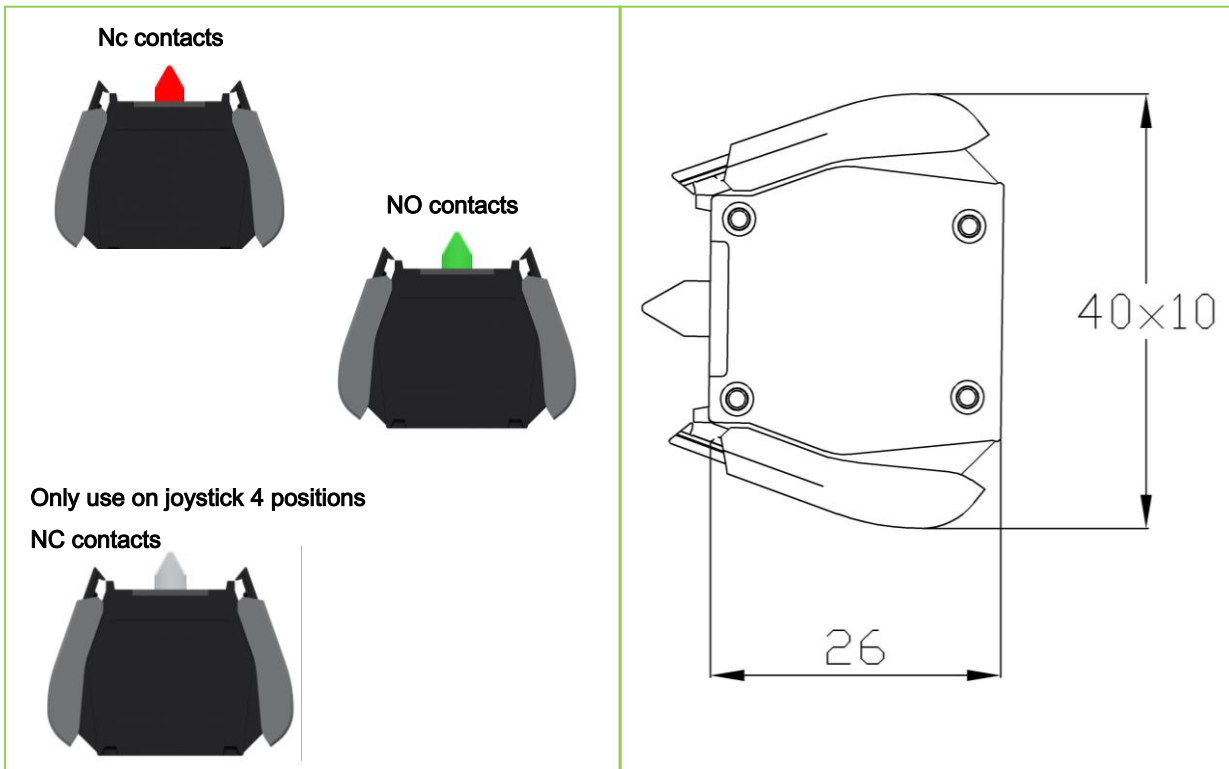
2 Position



Support ECX4029



Latch fixing contacts



Certifications - approvals



General technical data

			Plastic body
Standards	IEC 60947-5-1 EN 60947-5-1		
Operating temperatures			
– during operations	°C	– 25 ... + 70	
– for storage	°C	– 30 ... + 80	
Body material	Thermoplastic body		
Protection degree after installation (according to IEC 60529 and EN 60529)	IP65		
Rating insulation voltage Ui	690 V (pollution degree 3) A600, Q300		
– according to IEC 60947-1 and EN 60947-1 – according to UL 508 and CSA C22-2 n° 14			
Rated impulse withstand voltage Uimp (according to IEC 60947-1 and EN 60947-1)	KV	8	
Conditional short-circuit current (according to IEC 60947-1 and EN 60947-1)	KA	1	
Conventional free air thermal current Ith (according to IEC 60947-5-1 and EN 60947-5-1) $\theta < 40^{\circ}\text{C}$	A	10	
Short-circuit protection Ue < 500V a.c. – gG (gl) type fuses	A	10	
Rated operational current			
Ie / AC-15 (according to IEC 60947-5-1)	24V - 50/60 Hz	A	10
	120V - 50/60 Hz	A	6
	400V - 50/60 Hz	A	4
Ie / DC-13 (according to IEC 60947-5-1)	24V - d.c.	A	2.8
	125V - d.c.	A	0.55
	250V - d.c.	A	0.27
Switching frequency	Cycles/h	3600	
Mechanical durability	Cycles	300.000	
Initial resistance between contacts	mΩ	≤ 25	
Connecting terminals	On screw with cable clamp (fixing couple 0.6 Nm)		
Connecting terminals	1 or 2 conductors – 0.5 ÷ 2.5 mm ²		
Positive opening operations	NC contacts with positive opening operations		

Comepi Srl

23899 Robbiate (Lecco) Italy – Via Novarino 9/L Tel. +39 039 9903468 Fax +39 039 9906203 www.comepi.it comepi@comepi.it

Comepi S.r.l. reserves the right to modify its products and to change any details in this datasheet at any time without prior notice.

Comepi is not responsible for improper use of their electrical devices: in case you have any doubt or perplexity please contact our Technical Service.