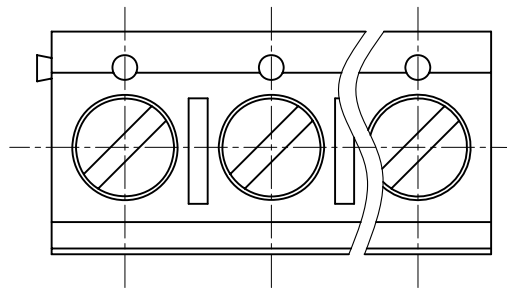
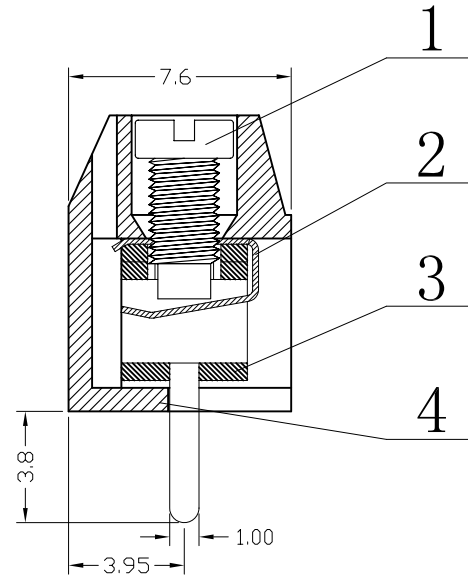
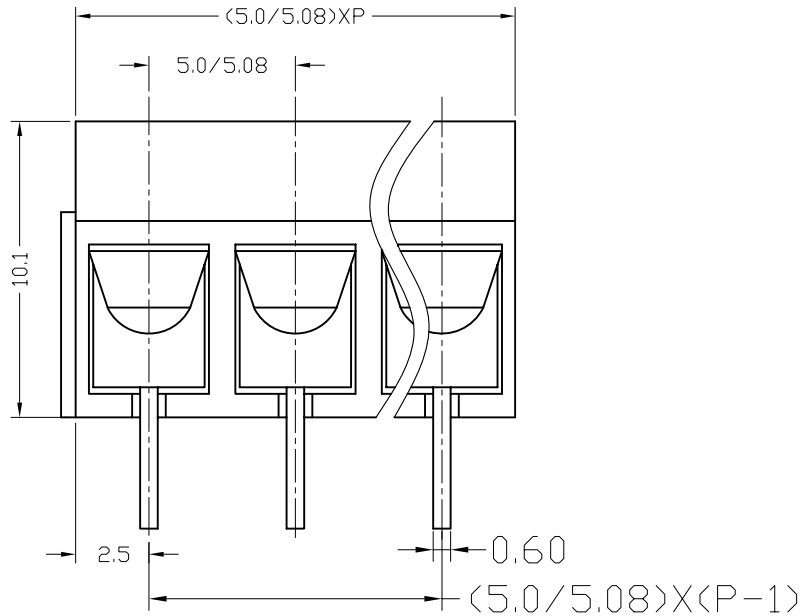


序号/RevNo.	名称/Title	文件编号/File No.
1	XY306螺丝	QJ/XYT-2127101
2	XY306簧片共用301	QJ/XYT-2127102
3	XY306端子	QJ/XYT-2127103
4	XY306塑件	QJ/XYT-2127104



300V 10A 22-14AWG 1.5mm²
 Poles: 2P&3P-24P
 Pitch: 5.0mm(.197"), 5.08mm(.200")

Materials

Housing: PBT(UL 94V-0)

Wire Protector: Stainless steel

Solder Pin: Brass, Tin Plated

Screw: M2.5, Steel(A3), Zinc Plated

Torque: 0.4N.m

设计/Designed by	绘图/Drawing by	审核/Checked by	批准/Approved by	未注公差 General Tolerance	
				x. ±0.2	x." ±2°
 图名/Title: XY306 A/B 文件编号/File No.: QJ/XYT-2227100 QJ/XYT-2227200 产品图 页序/Sheet:				.x ±0.1	.x" ±1°
				.xx ±0.05	.xx" ±0.5°
				.xxx ±0.01	
备注/Remark			单位/Units: mm		