

ECX4□□□

4000 series pushbuttons

Plastic body and threaded ring fixing

Joystick H79

Joystick 1 position

ECX 4515 A unstable
ECX 4516 A stable

Joystick 2 position

ECX 4510 A-B unstable
ECX 4511 A stable/ B unstable
ECX 4512 A-B stable

Joystick 4 position

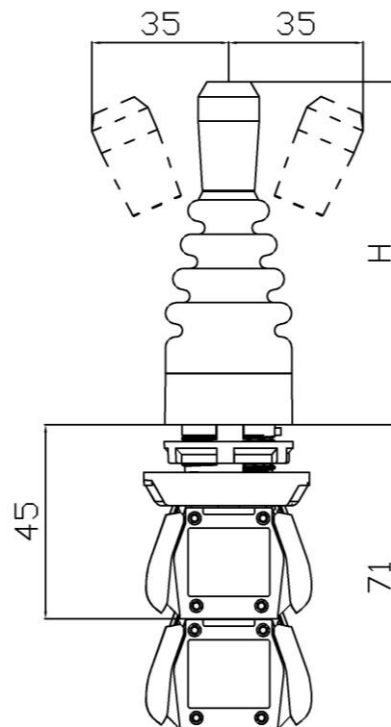
ECX 4520 A-B-C-D unstable
ECX 4521 A- stable/ B-C-D unstable
ECX 4522 A-B stable/ C-D unstable
ECX 4523 A-B-C stable/D unstable
ECX 4524 A-B-C-D stable

These items are sold along with the relative contact blocks.

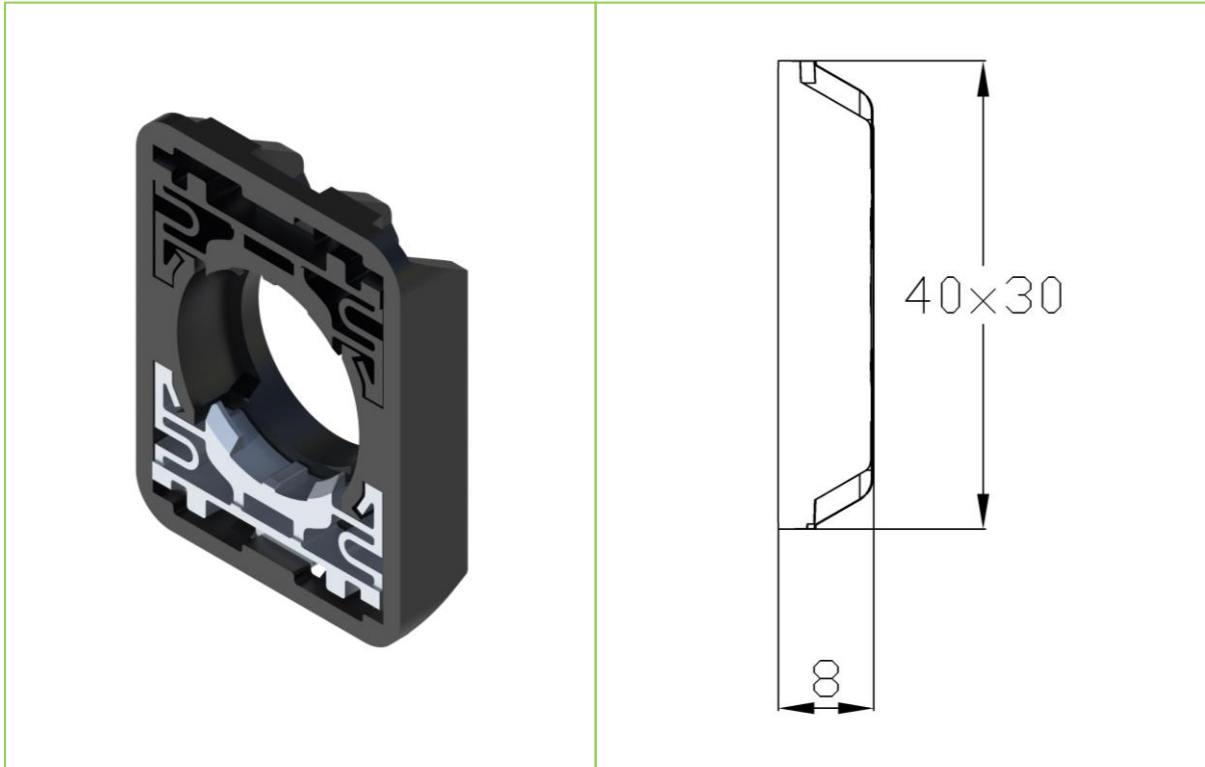
4 position



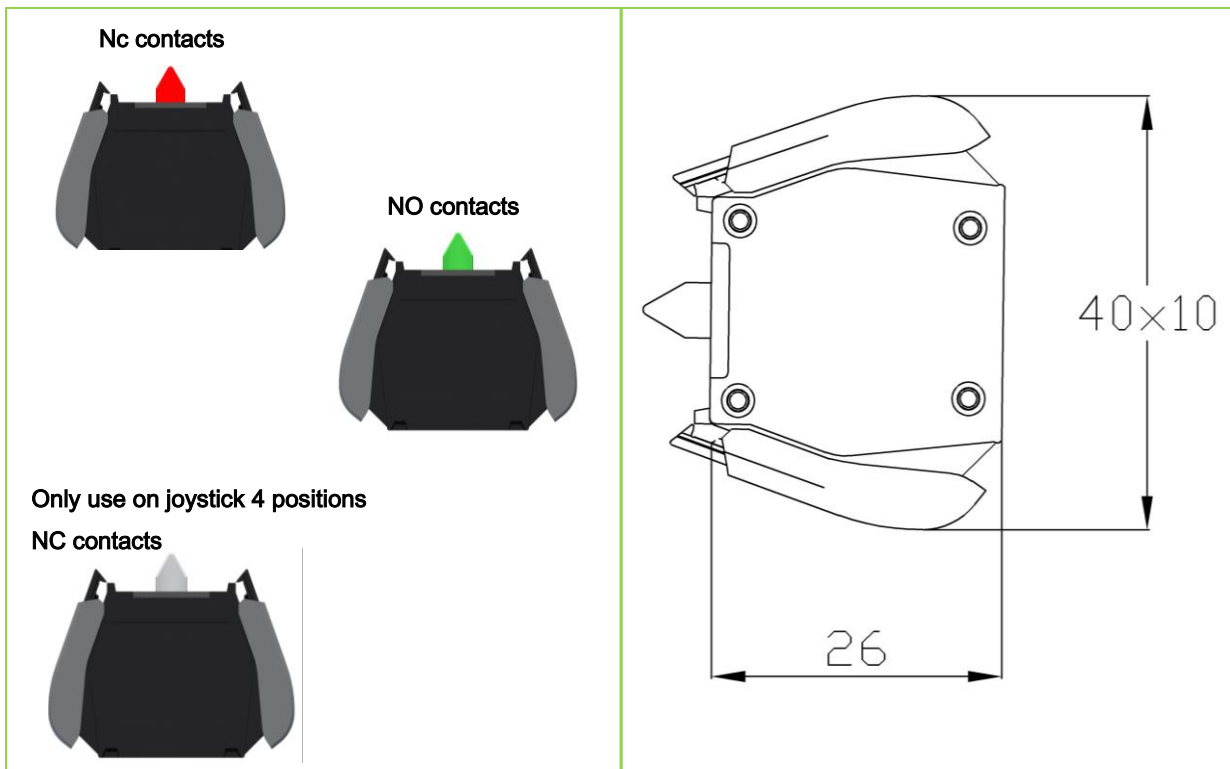
2 Position



Support ECX4029



Latch fixing contacts



Certifications - approvals



General technical data

			Plastic body
Standards	IEC 60947-5-1 EN 60947-5-1		
Operating temperatures			
– during operations	°C		– 25 ... + 70
– for storage	°C		– 30 ... + 80
Body material	Thermoplastic body		
Protection degree after installation (according to IEC 60529 and EN 60529)	IP65		
Rating insulation voltage Ui	690 V (pollution degree 3) A600, Q300		
– according to IEC 60947-1 and EN 60947-1 – according to UL 508 and CSA C22-2 n° 14			
Rated impulse withstand voltage Uimp (according to IEC 60947-1 and EN 60947-1)	KV		8
Conditional short-circuit current (according to IEC 60947-1 and EN 60947-1)	KA		1
Conventional free air thermal current Ith (according to IEC 60947-5-1 and EN 60947-5-1) $\theta < 40^{\circ}\text{C}$	A		10
Short-circuit protection Ue < 500V a.c. – gG (gl) type fuses	A		10
Rated operational current			
Ie / AC-15 (according to IEC 60947-5-1)	24V - 50/60 Hz	A	10
	120V - 50/60 Hz	A	6
	400V - 50/60 Hz	A	4
Ie / DC-13 (according to IEC 60947-5-1)	24V - d.c.	A	2.8
	125V - d.c.	A	0.55
	250V - d.c.	A	0.27
Switching frequency	Cycles/h		3600
Mechanical durability	Cycles		300.000
Initial resistance between contacts	mΩ		≤ 25
Connecting terminals	On screw with cable clamp (fixing couple 0.6 Nm)		
Connecting terminals	1 or 2 conductors – 0.5 ÷ 2.5 mm ²		
Positive opening operations	NC contacts with positive opening operations		